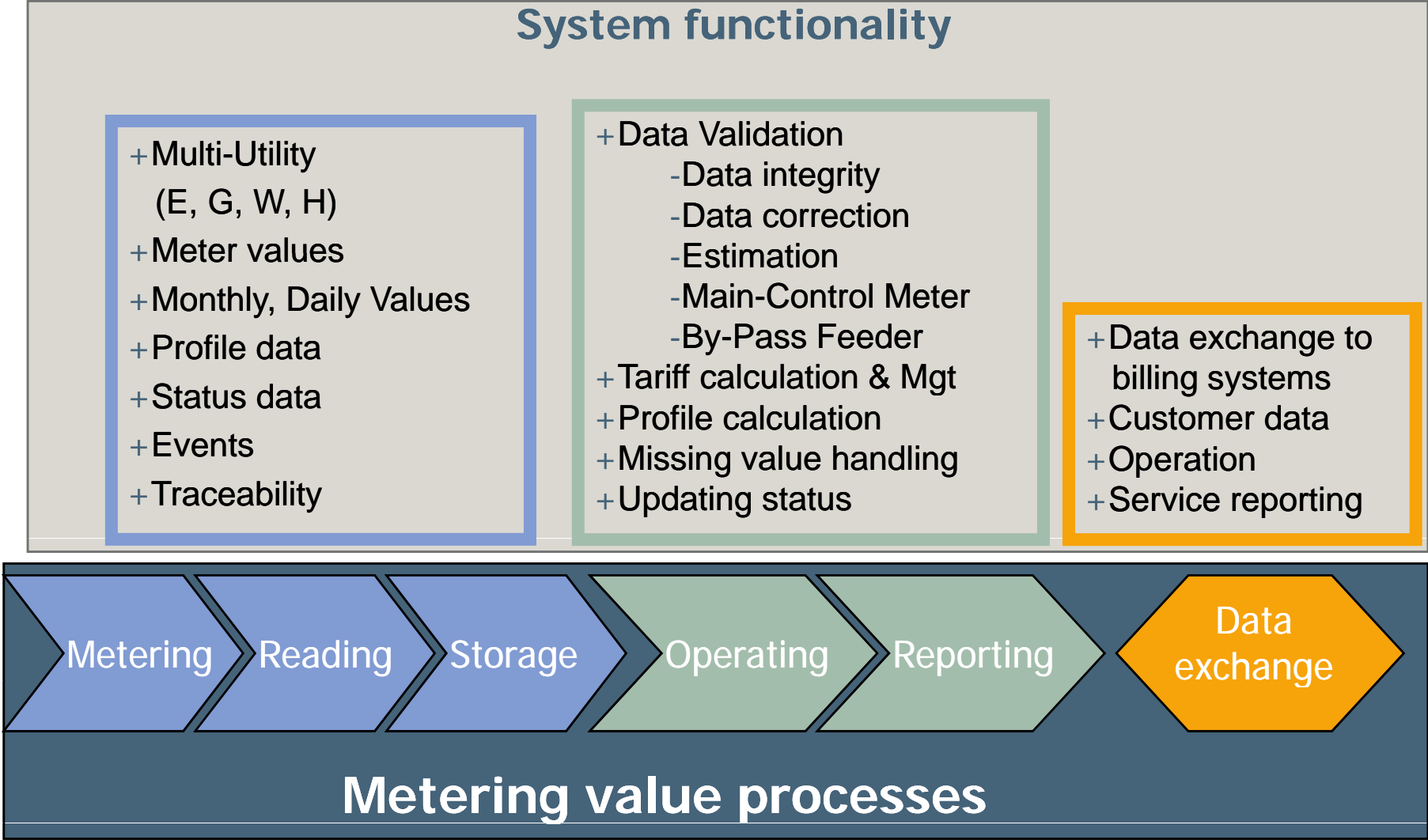


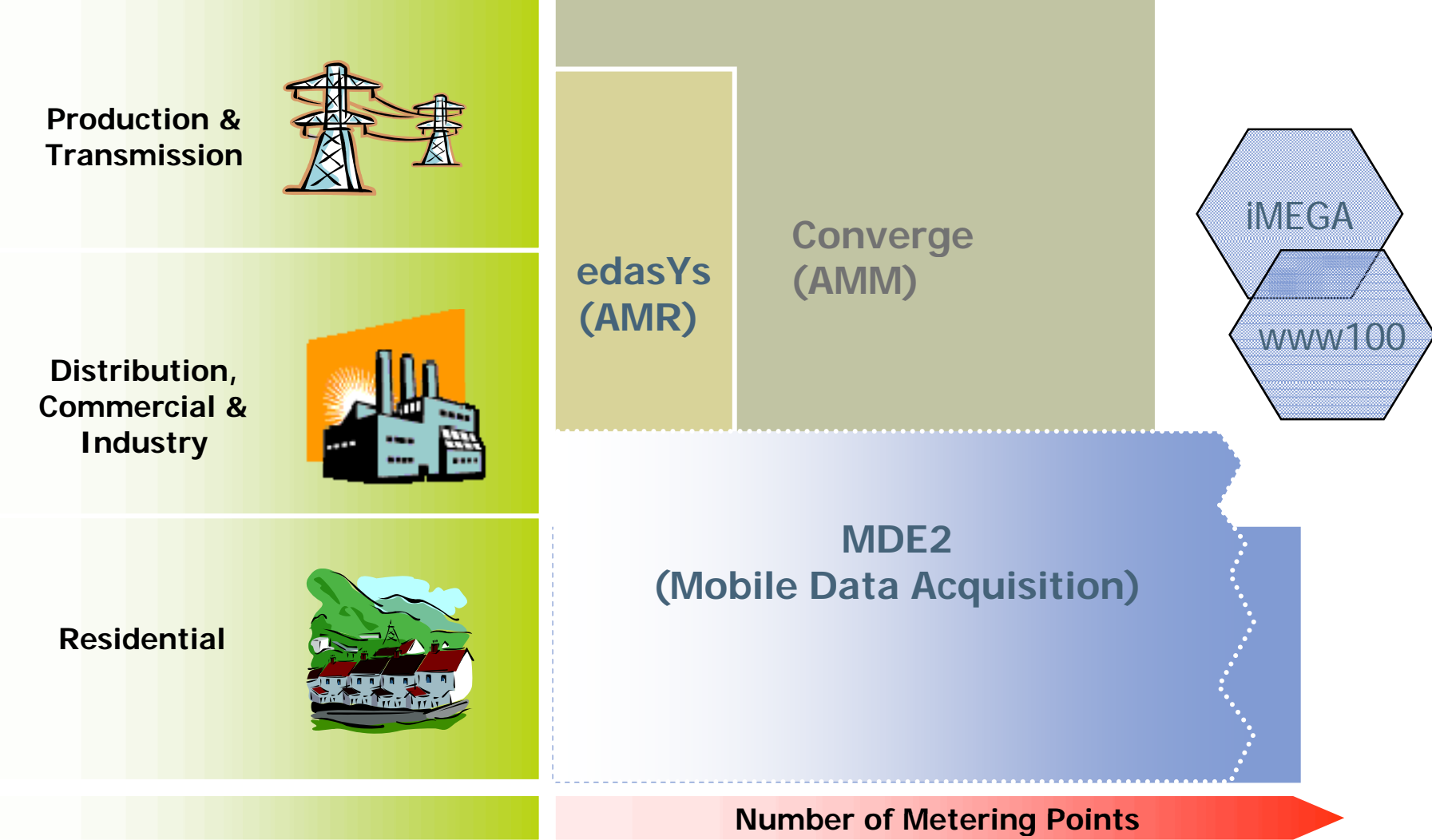
# Solutions for the ICG Market

(Portfolio Manager ICG Solutions)

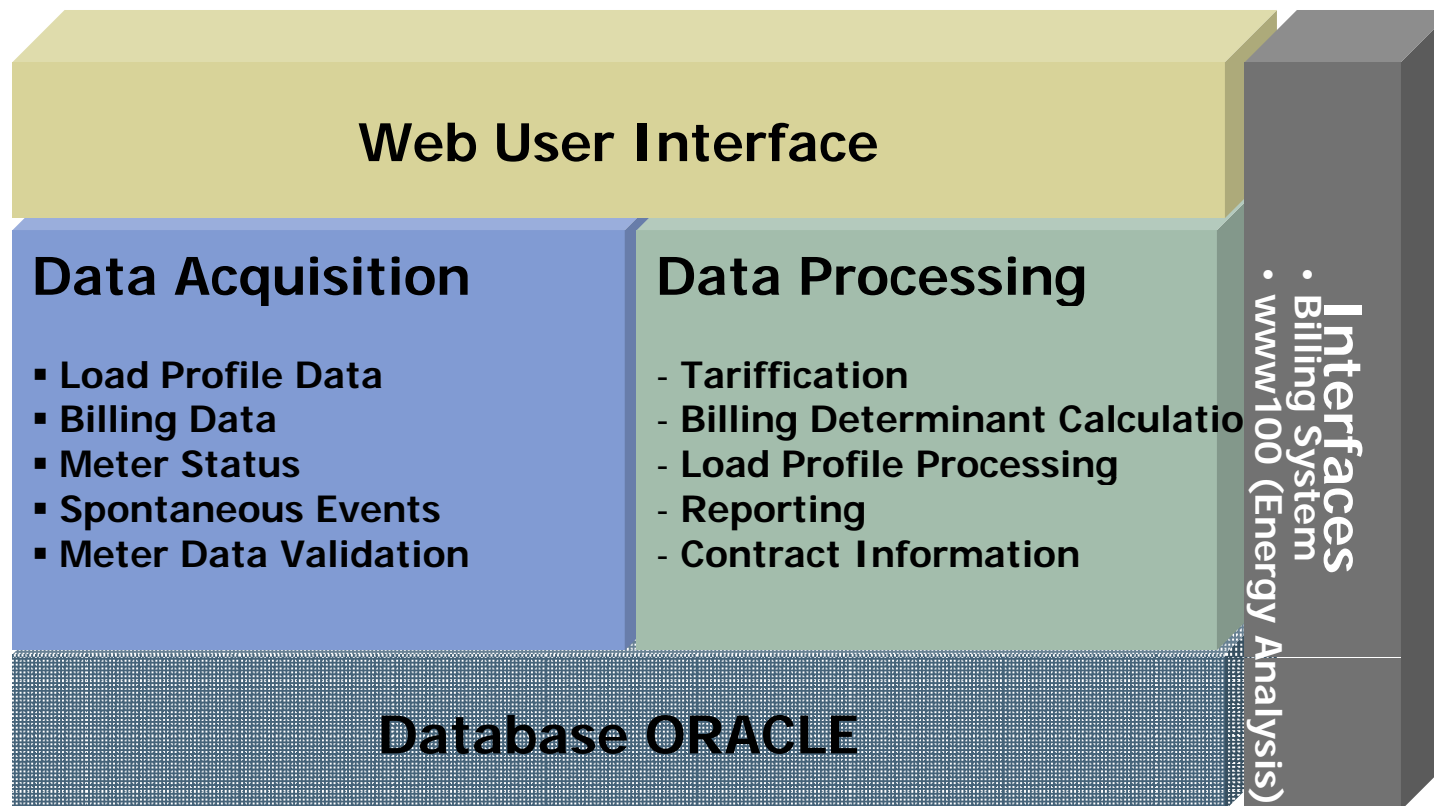
# Metering Value Chain – The Meter-To-Cash Process



# BU-S Solution Portfolio



# Converge – System Overview



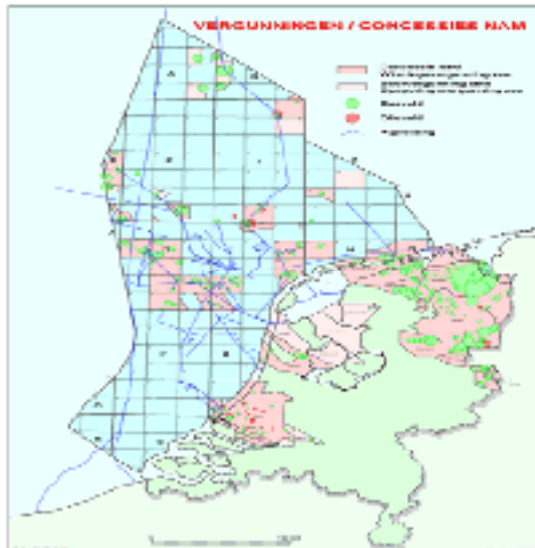
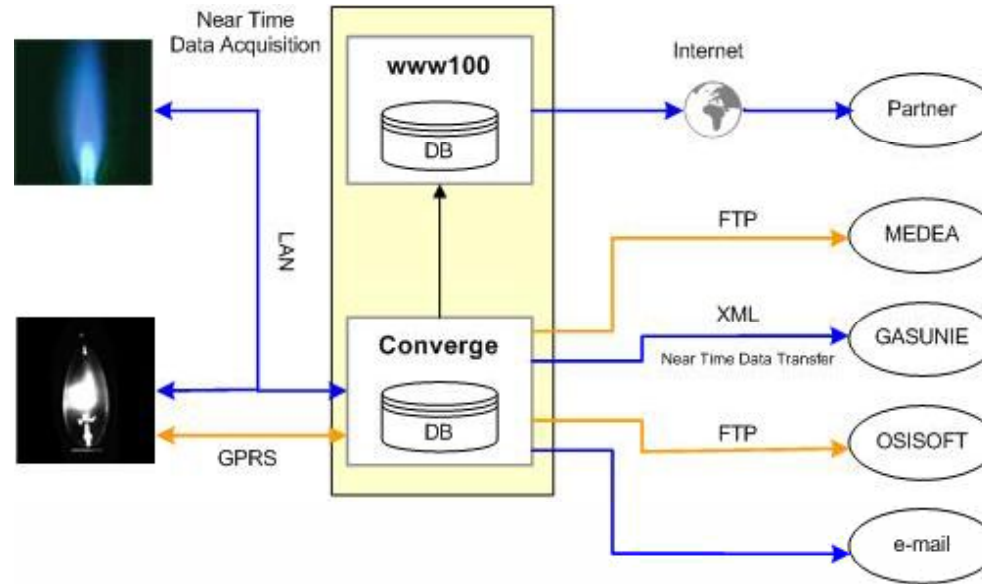
## Converge - Characteristics

- + 4th Generation of AMR System
- + Supports all major ICG meter types of various manufacturers
- + One System for all Multi-Utility Requirements (Heat, Cold, Water, Gas, Electricity)
- + Full Automation of the Meter-To-Cash Process
- + Unique Integration to SAP
- + Completely web-based User Interface
- + Open System Architecture for easy localisation and customisation
- + Wide Market Penetration with more than 100 satisfied customers
- + Designed with large meter base in mind
  - Unlimited Scalability
  - Processing Capacity on Demand
  - Redundant System Configurations for Business Continuity

# Converge Success Story

- + NAM B.V.
- + Inter-/national gas producer, distributor and supplier
- + Large Energy Consumption of Gas Plants

## NAM B.V.



- + Continuous Data Acquisition (5' minute interval) with a latency of less 2' minutes.

- + Data Acquisition using LAN and GPRS
  - + 500 LP Gas Meters
  - + 500 LP Electricity

- + Interfaces to
  - + MEDEA
  - + OSISOFT
  - + GASUNIE (Near Real Time)



# Converge Success Story

# E.ON, Hungary

- + 2nd largest energy supply company in Germany
- + Owns 3 Utilities in HU
- + Inter-/national energy trader



- + Typical ASP Solution
- + Several Extensions planned (Gas, Slovakia)
- + XML Data Exchange



- + Hosted by is:energy
- + Operated by each company
- + ~ 13'500 I&C meters
- + Interface into SAP IS-U CCS and EDM
- + Energy Data Exchange
- + WEB – Application www100

