



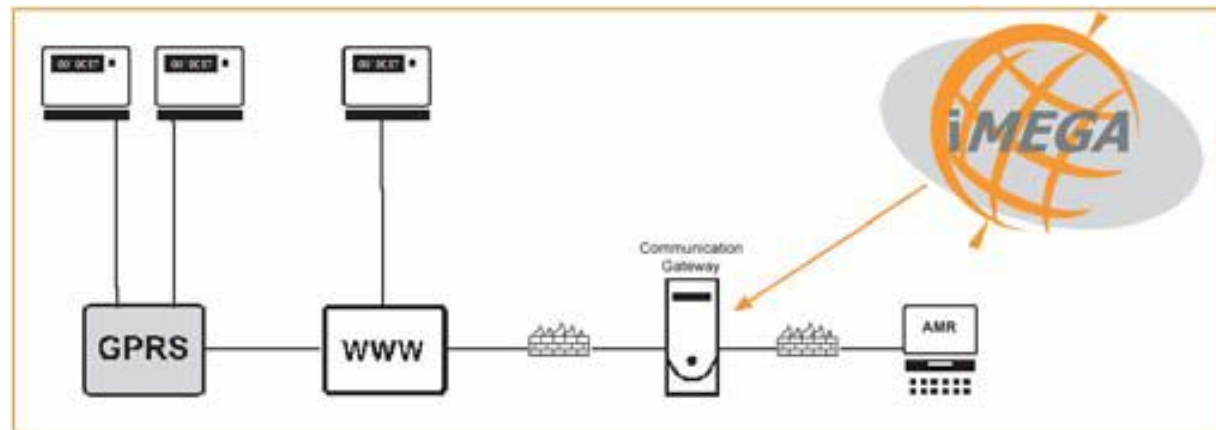
meter2cash Ltd.

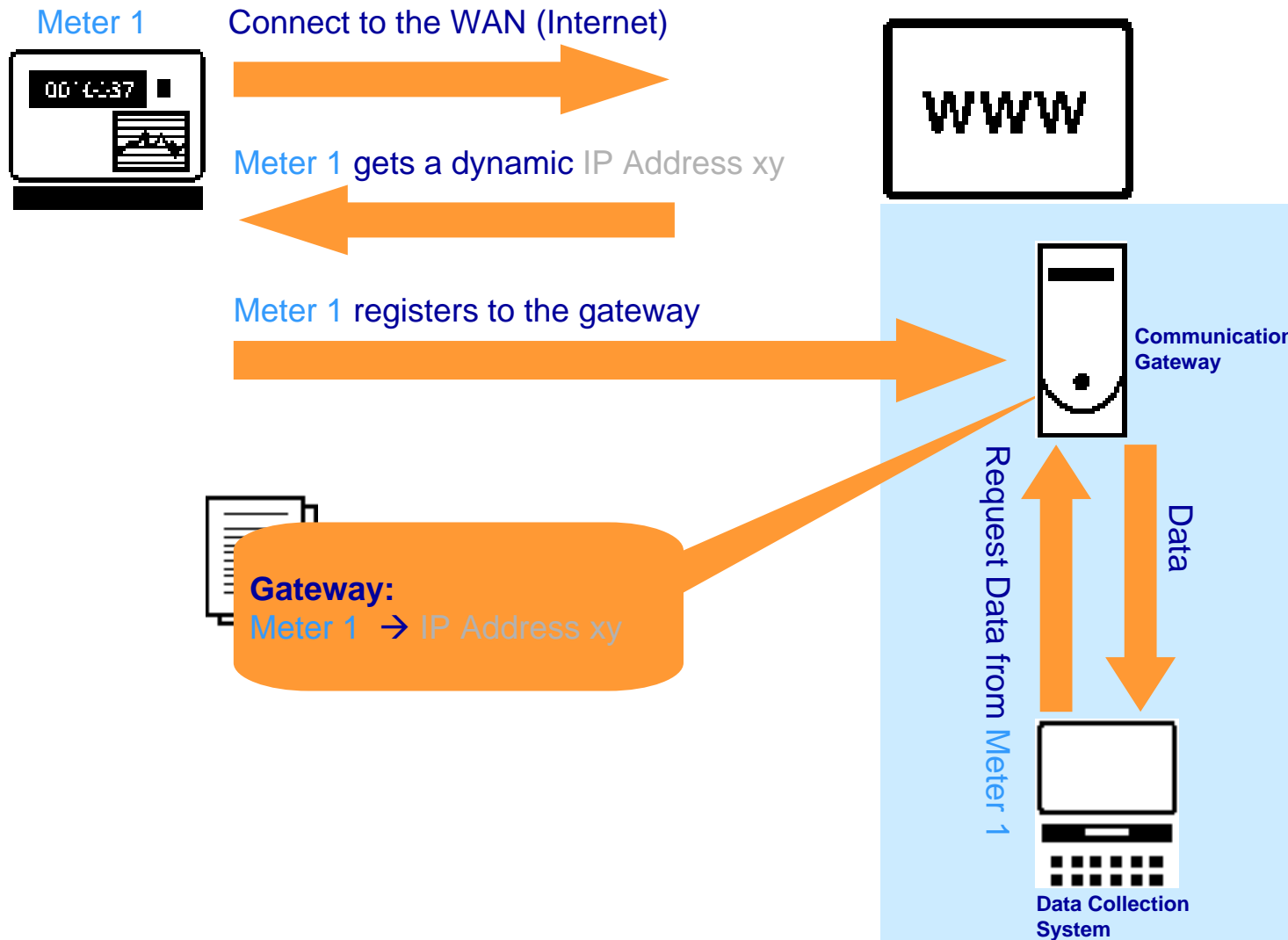
Internet Metering

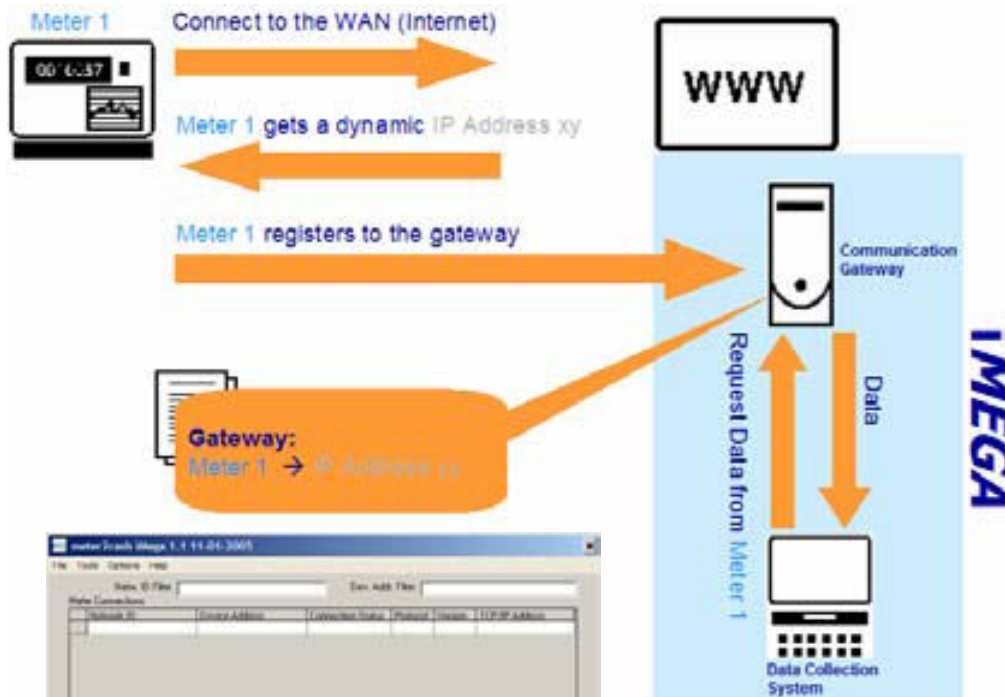


- **What is iMEGA**
- **Dataflow**
- **What do we have to install**
- **iMEGA Versions**
- **System Requirements**
- **Advantages**
- **Integration into a network**

- *iMEGA* is a kind of Gateway (MEGA → Meter Gateway). With help of *iMEGA* it is possible to connect a data collection system through a WAN (Internet) to the communication units (CU) of L+G.
- *iMEGA* doesn't store any data.
- *iMEGA* is split into two parts:
 - *iMEGA* Server
 - *iMEGA* Device driver (Installed on the data collection system)





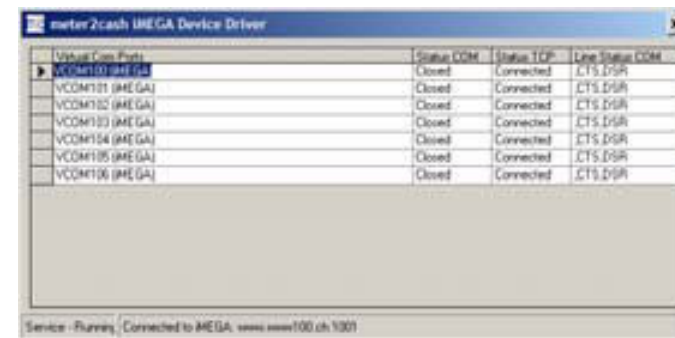
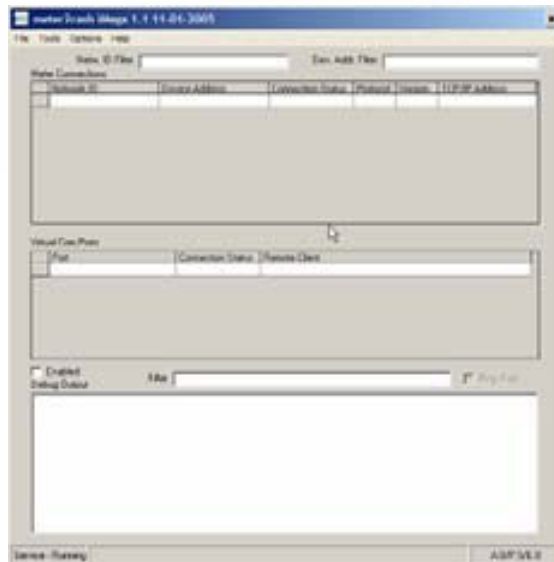


Communication Gateway

- iMEGA Server
- This Server needs a connection to the Internet with a fix IP-Address.

Data Collection System

- iMEGA Device Driver
- Network connection to the Communication Gateway



- *iMEGA* has been developed for two different segments. A freeware version for trial use and a full version for commercial use.
- The freeware version is downloadable from the following web page: <http://www.metertocash.com> (→Products, → Internet Metering)

Nr.	Function	Freeware Version	Commercial Version
1	Number of supported Meters	25	5000
2	Number of data collection systems, which are able to connect to the gateway	1	Unlimited
3	Number of virtual COM-Ports on the data collection system	3	255

- **Communication Gateway**

- Operation System : MS Windows 2000 or XP (Server or Professional Version)
M2C recommend for the Communication Server a Server Operation System



- **Data Collection System**

- Operation System : MS Windows 2000 or XP (Server or Professional Version)



- **Installation Options**

- *iMEGA* Server and virtual COM- Ports
- *iMEGA* Server
- Virtual COM- Ports



- **Possibility of parallel data acquisition → 255 COM-Ports (Modems) in parallel**
- **Meter can be connected always to the communication gateway without any impact of communications costs → *Fast connection for the data acquisition system***
- **IP- Addressing is solved, because of dynamic IP-Addresses → *No costs for fix IP- Addresses.***
- **It's possible to install / integrate into an existing data collection system → *Secure installation into a DMZ (Demilitarised zone) possible.***

- **Access to a DMZ:**
 - The Data Collection System access the *iMEGA* Server through FW1
 - The port for the *iMEGA*- Server has to be open in the direction to the DMZ.
 - That the meters can have access to the *iMEGA* Server, the port from FW2 has to be open in the direction DMZ
 - All ports are configurable for *iMEGA*

