

BRIPORT® Cable Support System for safe installations in cable ducts



EWZ, Cable tunnel under Löwenstrasse, Zurich (Switzerland)

Developped by professionals for professionals: Easy installation and economical cable pulls



Pictures 1-5

- 1 Cable guide opened
- 2 Tool for the production of cable guides
- 3 Support for low voltage branch joint
- 4 Support for low voltage heat shrinkable joint
- 5 Support for medium voltage straight through joint

Safety as a Primary Concern

Accessible cable duct installations must be safe – safe for humans and safe for the transmission of energy and signals. Safety is guaranteed when using our newly developed cable support system in conjunction with BRIMEX-Noflamm cables. In addition, the BRIPORT system allows for easy and economical cable pulls. The cables are simply pulled through the cable guides and are therefore positioned correctly right from the start. Please refer to pictures and sketches for details.

Application

The BRUGG BRIPORT Cable Support System was particularly developed for the installation of power and control cables in accessible ducts, tunnels and galleries with the aim for easy and economical cable pulls. However, the possibilities for further applications are unlimited.

Well Planned Construction

The system consists mainly of:
– supports for horizontal, vertical or tilted installation
– two-part cable guides which are slid over the supports in the required number and configuration
The cable guides can be opened at all times. This allows easy retrofitting of additional cables also long after the original installation.

High-grade Material

With the standard design all steel support elements are supplied hot dip galvanized. Stainless steel supports are available on request for special applications. The cable guides are of high-grade flammretardant, halogenfree ABS (acrylonitrile butadiene styrene), injection-moulded in special tools as seen in picture 2.

Advantages

- Compact, space-saving and quick installation
- Halogenfree materials
- Easy and economical cable pulls with low coefficient of friction
- Excellent cooling properties of cables
- Compensation of cable elongation during load cycles
- Possibility of adding cable circuits into partly occupied guides at a later date.

Details of cable guide KF 100 FH

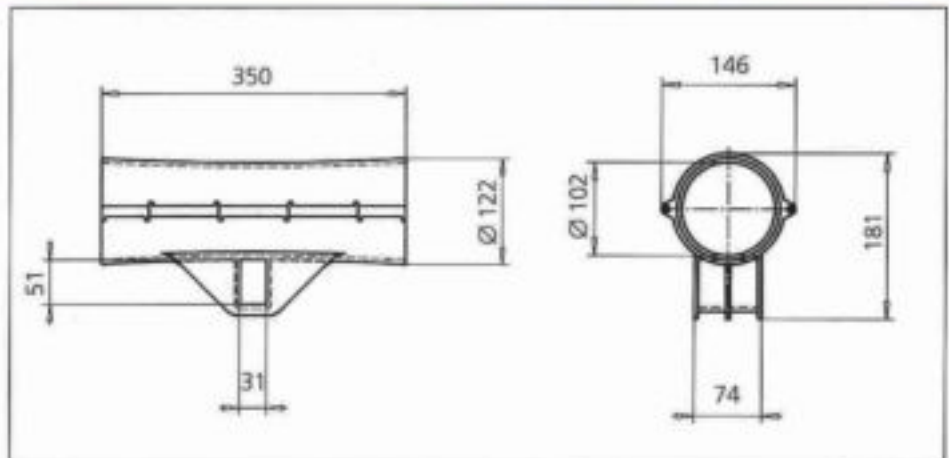
Pictures 6-7

- 6 Three core cable installation
- 7 Three single core cables in trefoil configuration

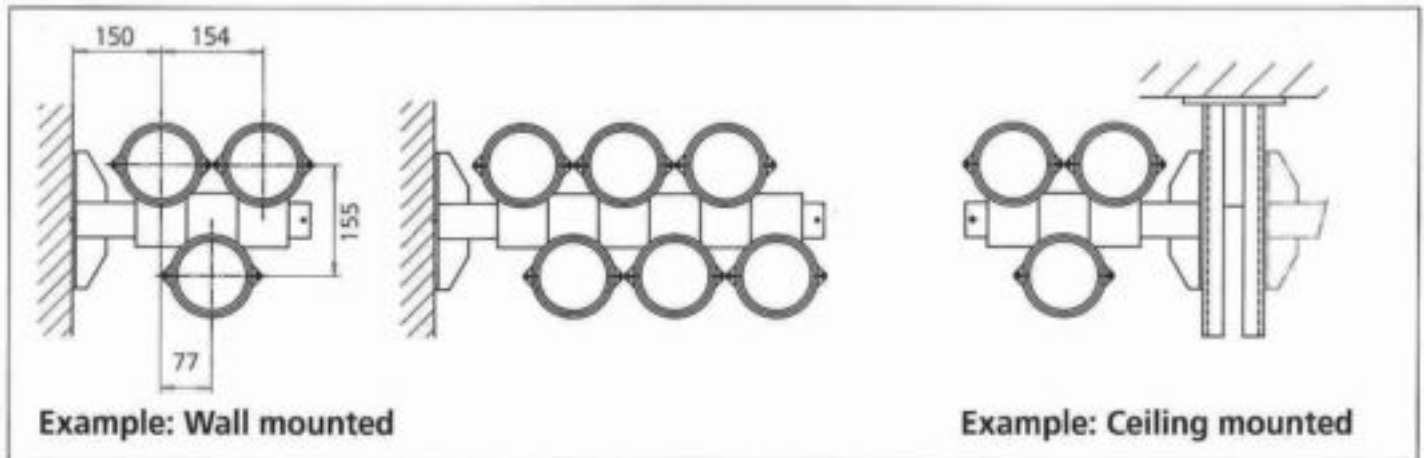


Technical Data

Weight	1,14 kg
Material	ABS/FH
Carrying capacity	max. 80 kg
Cable diameter	max. 90 mm
Distance of supports	max. 3,5 m

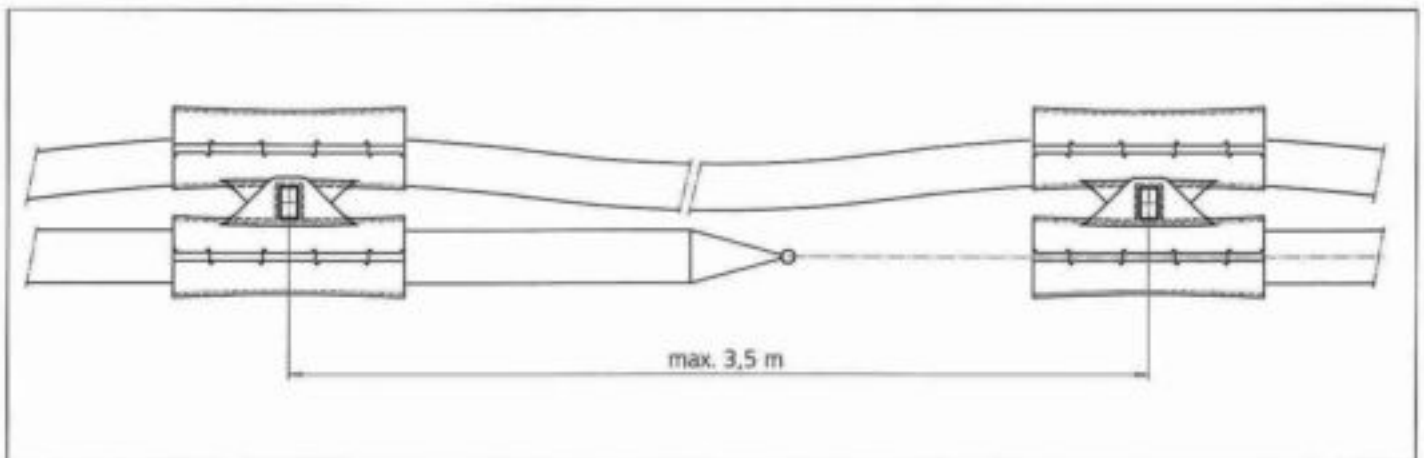


Dimensions in mm



Example: Wall mounted

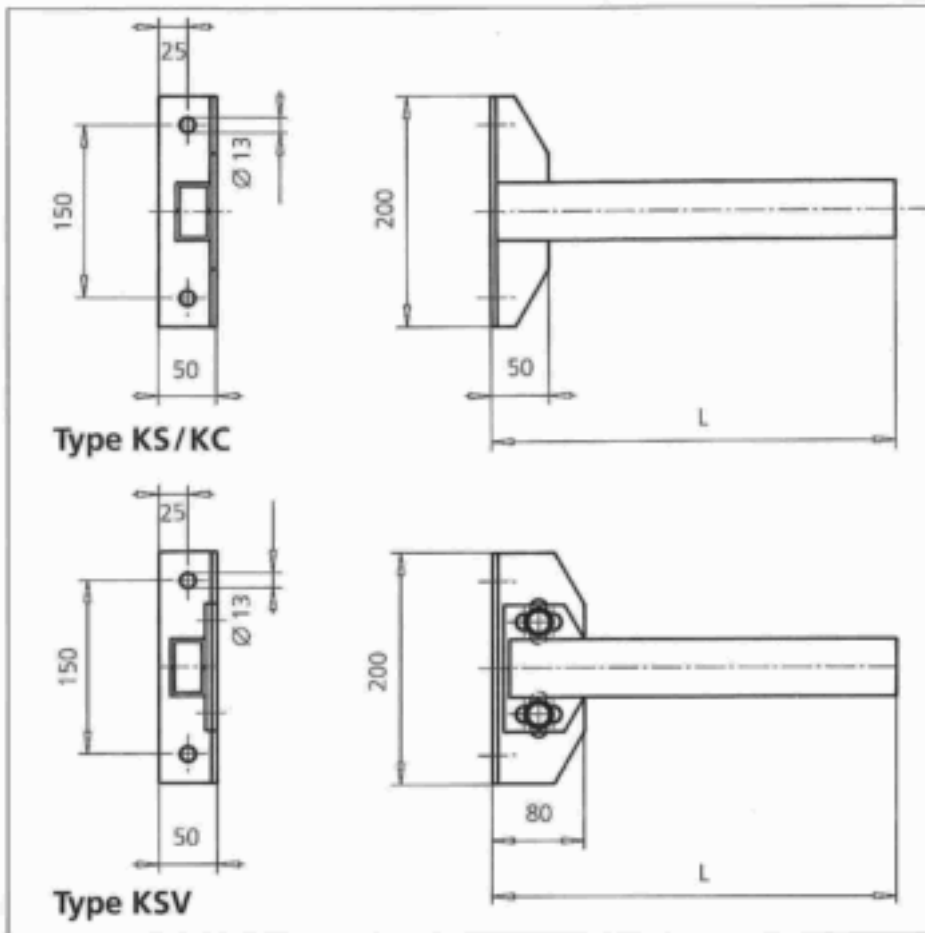
Example: Ceiling mounted



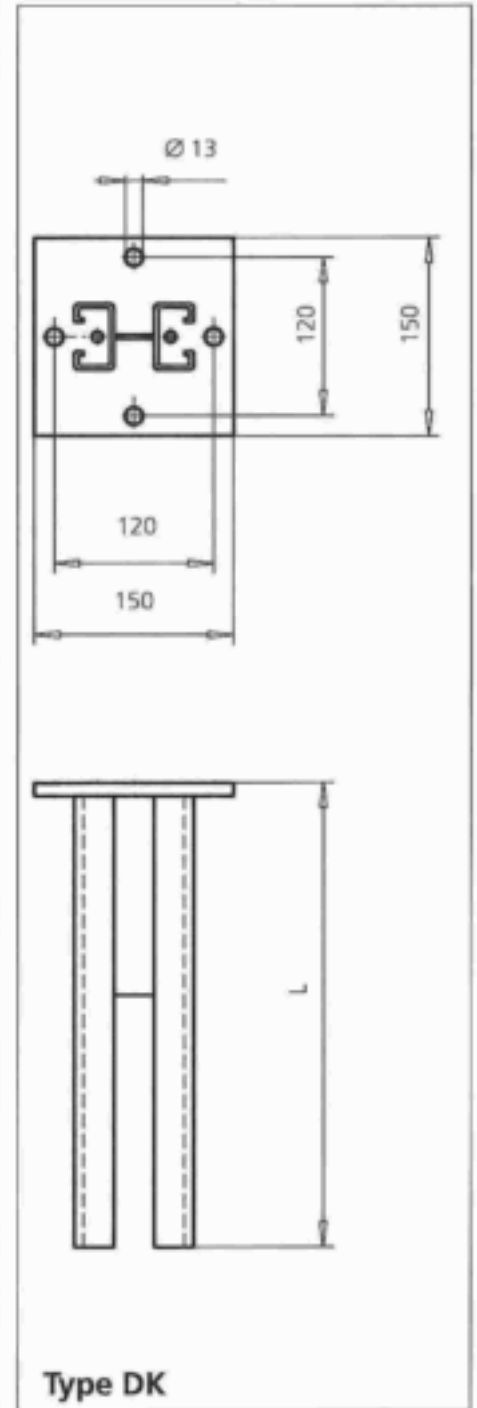
The cable guides are installed on support consoles horizontally. Three different types of supports are available for wall mounting and ceiling mounting respectively. The support KSV (refer to back page) is adjustable for easy alignment of the cables guides.

Support for wall installation

Dimensions in mm



Support for ceiling installation



Type	Length L mm	Cable guides Type KF 100 FH max. number	Material	Weight of support kg
KS 350	350	3	Galvanized steel	1,9
KS 570	570	6	Galvanized steel	2,7
KSV 350	350	3	Galvanized steel	2,3
KC 350	350	3	Stainless steel V2A	1,9
KC 570	570	6	Stainless steel V2A	2,7
DK 350	350	2xKS 350	Galvanized steel	3,3

Other types and dimensions on request